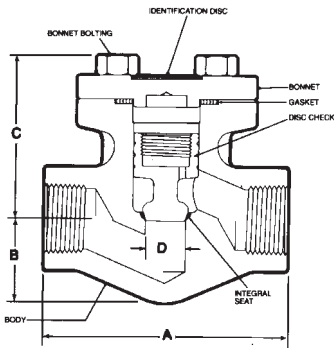
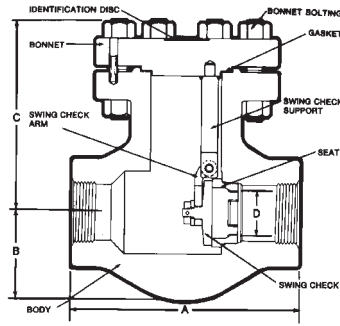


Vogt Gate, Globe and Check Valves



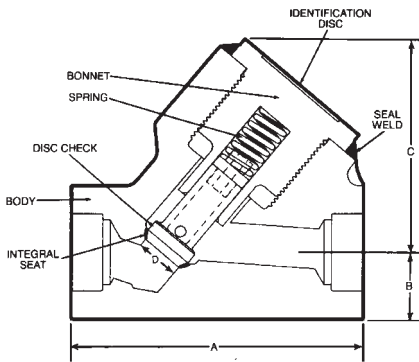
Piston Check, T-Pattern

Size: 1/2" - 2" (15mm - 50mm)
 Pressure Class: 150 - 1500
 Ends: Threaded, Flanged, Butt & Socket Weld



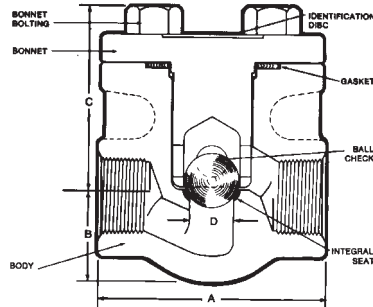
Swing Check

Size: 1/2" - 2" (15mm - 50mm)
 Pressure Class: 150 - 800
 Ends: Threaded, Socket Weld, Flanged



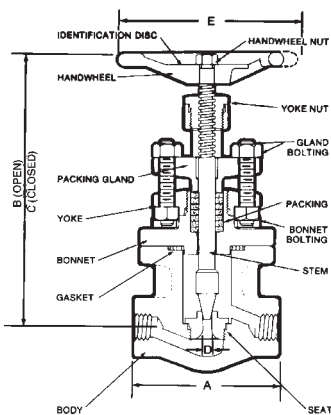
Piston Check, Y-Pattern

Size: 1/2" - 2" (15mm - 50mm)
 Pressure Class: 1690 & 2680
 Ends: Threaded, Socket Weld



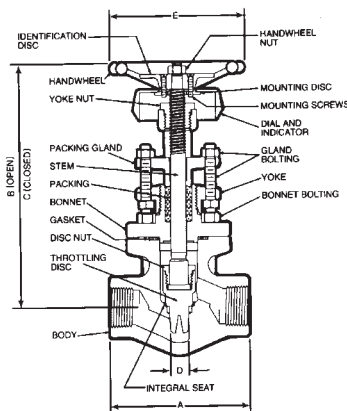
Ball Check

Size: 1/2" - 2" (15mm - 50mm)
 Pressure Class: 150 - 1500
 Ends: Threaded, Socket Weld, Flanged



Flow Control Service

Size: 1/4" - 1" (8mm - 25mm)
 Pressure Class: 800
 Ends: Threaded, Socket Weld

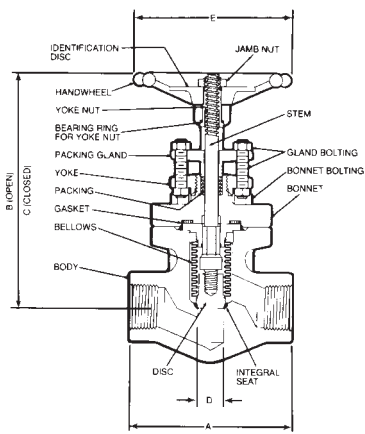


Size: 1/2" - 2" (15mm - 50mm)
 Pressure Class: 1500
 Ends: Threaded, Socket Weld

Materials Availability

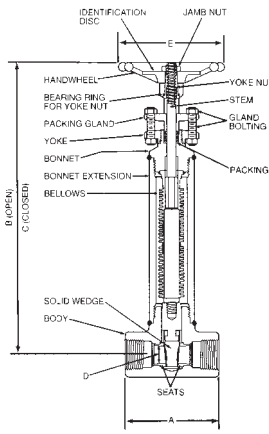
Carbon Steel, Moly Alloy Steel, Nickel Alloy Steel, Stainless Steel

- ASTM A105
- ASTM A182F5
- ASTM A182F9
- ASTM A182F11
- ASTM A182F22
- ASTM A182F316
- ASTM A350LFZ

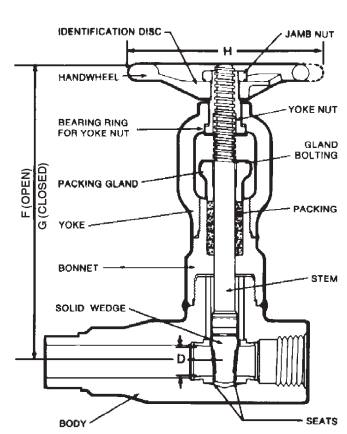


Bellowsal

Size: 1/2" - 2" (15mm - 50mm)
 Pressure Class: 150 - 800
 Ends: Threaded, Socket Weld, Flanged

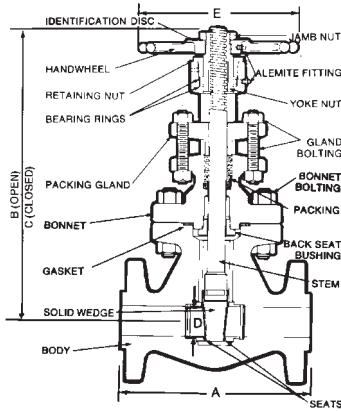


Size: 1/2" - 2" (15mm - 50mm)
 Pressure Class: 150 - 800
 Ends: Threaded, Socket Weld, Flanged



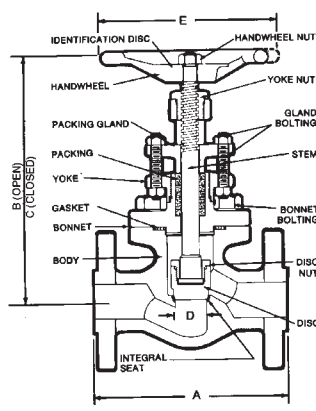
Extended Body

Size: 1/2" - 1-1/2" (15mm - 40mm)
 Pressure Class: 800 - 1500
 Ends: Threaded, Socket Weld



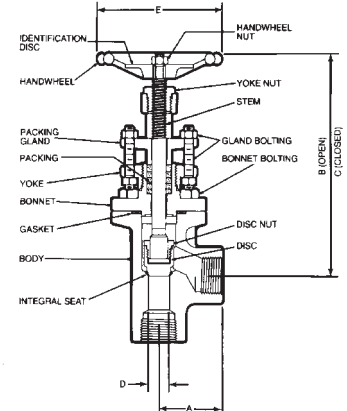
Gate Valves, Bolted Bonnet

Size: 1/2" - 4" (15mm - 100mm)
 Pressure Class: 150 - 1500
 Ends: Threaded, Flanged, Butt & Socket Weld



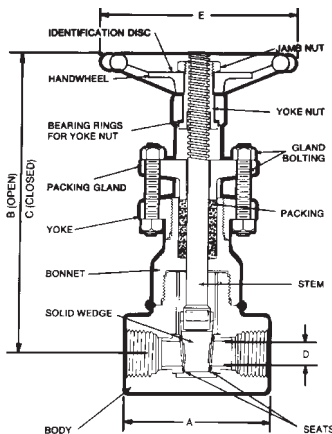
Globe Valves, Bolted Bonnet

Size: 1/4" - 3" (8mm - 80mm)
 Pressure Class: 150 - 1500
 Ends: Threaded, Flanged, Butt & Socket Weld



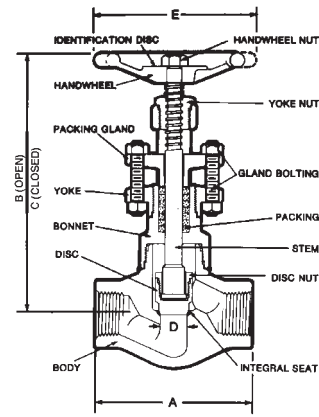
Angle

Size: 1/2" - 2" (15mm - 50mm)
 Pressure Class: 800
 Ends: Threaded, Socket Weld



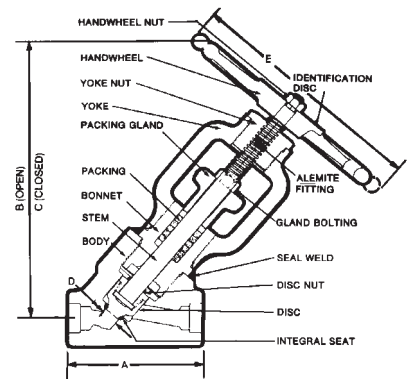
Gate Valves, Welded Bonnet

Size: 1/2" - 2" (15mm - 50mm)
 Pressure Class: 150 - 2500
 Ends: Threaded, Butt & Socket Weld



Globe Valves, Welded Bonnet

Size: 1/4" - 2" (8mm - 50mm)
 Pressure Class: 150 - 2680
 Ends: Threaded, Flanged, Butt & Socket Weld



Y-Pattern

Size: 1/2" - 2" (15mm - 50mm)
 Pressure Class: 1690 & 2680
 Ends: Threaded, Socket Weld