



Vogt Valves

Vogt Valves

*The Connection Bulletin for
Forged Steel Globe Valves for Water-Free Chlorine Service
Class 300, 600 & 800*

CB 07

Forged Steel Globe Valves for Water-Free Chlorine Service



Forged Steel, O. S. & Y. Globe Valves, Class 300, 600 and 800

RELIABLE ...

Vogt Globe Valves are manufactured, tested, cleaned and packaged in accordance with the requirements for chlorine service.

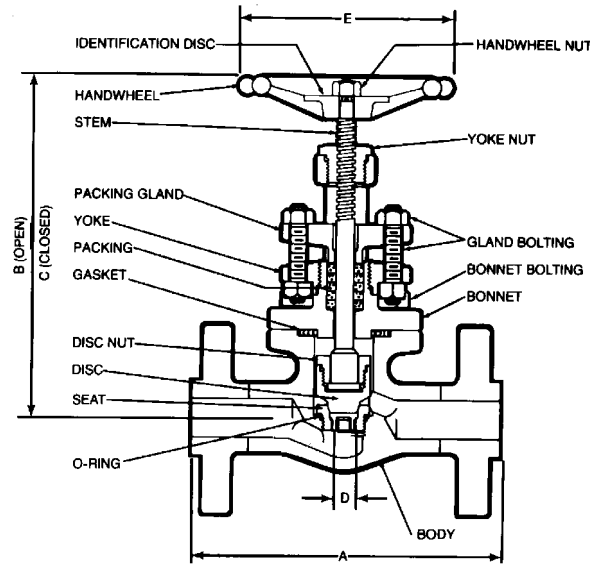
Chlorine Service Bellowsal Valves:

Class 150, 300, 600 Bellowsal Flanged, Threaded or Socket Weld End Globe Valves similar to Series 473B, 483B, 493B, 12141 B or SW- 12141 B (with Inconel 625 bellows) are also available on a special order basis.

Forged Steel Globe Valve for Water-Free Chlorine Service

CLASS 300 WATER-FREE CHLORINE SERVICE

- Round Bolted Bonnet
- Bolted Gland
- Spiral Wound Gasket
- Outside Screw & Yoke
- Loose Solid Disc (CL)
- Renewable Seat
- ASME B16.34



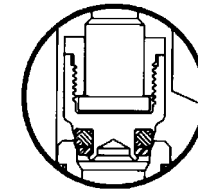
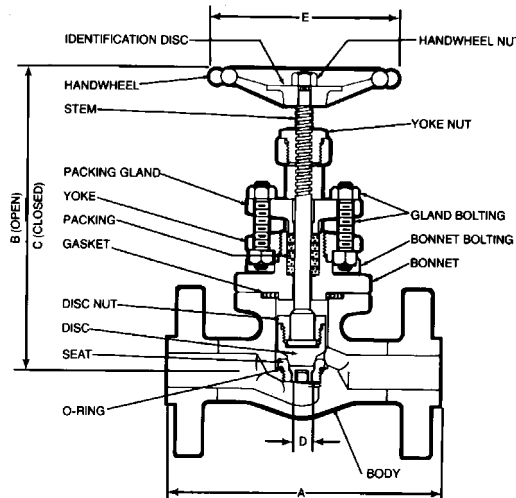
Chlorine Service Temperatures Not to Exceed 300°F.			Size	Weight in Pounds	A Contact-to-Contact	B Open	C Closed	D Seat Diameter	E Handwheel Diameter	Cv Factor
CLASS 300 Conventional Port 740 psi @ 100°F Valves Contain Teflon			1/2	8.0	6.00	6.62	6.31	.39	4.00	1.7
			3/4	12.4	7.00	6.62	6.31	.39	4.00	3.1
Series Number	Material		1	15.7	8.00	8.44	8.06	.66	4.75	5.9
Flanged Ends 1/16" R.F.	Body/Bonnet	Trim								
22483CL	A105	Hastelloy C Stem								
		Monel Seat and Disc								
			1 1/2	33.6	9.00	10.38	9.81	1.19	5.75	18.4
			2	44.3	10.50	10.88	10.19	1.44	7.00	22.5

The recommendations of the Chlorine Institute Pamphlet #6 have been used in the design of Vogt's Chlorine Valves.

Forged Steel Globe Valves for Water-Free Chlorine Service

CLASS 600 WATER-FREE CHLORINE SERVICE

- Round Bolted Bonnet
- Bolted Gland
- Spiral Wound Gasket
- Outside Screw & Yoke
- Loose Solid Disc (CL) or Loose Teflon-inserted Disc (MT)
- Renewable Seat
- ASME B16.34



Disc with insert

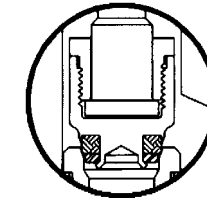
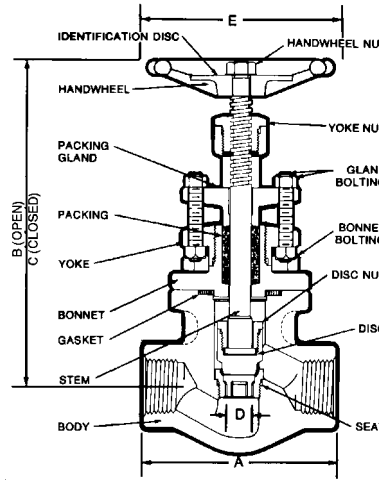
Chlorine Service Temperatures Not to Exceed 300°F.			Size	Weight in Pounds	A Contact-to-Contact	B Open	C Closed	D Seat Diameter	E Handwheel Diameter	Cv Factor
CLASS 600 Conventional Port										
1480 psi @ 100°F Valves Contain Teflon										
Series Number	Material									
Flanged Ends 1/4" R.F.	Body/Bonnet	Trim	1/2	8.5	6.50	6.62	6.31	.39	4.00	1.7
22493CL	A105	Hastelloy C Stem Monel Seat and Disc	3/4	13.1	7.50	6.62	6.31	.39	4.00	3.1
Chlorine Service Temperatures Not to Exceed 300°F.										
CLASS 600 Conventional Port										
1480 psi @ 100°F Valves Contain Teflon										
Series Number	Material									
Flanged Ends 1/4" R.F.	Body/Bonnet	Trim	1	16.5	8.50	8.44	8.06	.66	4.75	5.9
22493MT	A105	Hastelloy C Stem Monel Seat and Teflon-Inserted Disc	1 1/2	35.0	9.50	10.38	9.81	1.19	5.75	18.4
			2	46.2	11.50	11.06	10.38	1.44	7.00	22.5

Valve flanges conform to AMSE Standard B16.5 and end-to-end dimensions conform to AMSE Standard B16.10.

Forged Steel Globe Valves for Water-Free Chlorine Service

CLASS 800 WATER-FREE CHLORINE SERVICE

- Round Bolted Bonnet
- Bolted Gland
- Spiral Wound Gasket
- Outside Screw & Yoke
- Loose Solid Disc (CL) or Loose Teflon-inserted Disc (MT)
- Renewable Seat
- ASME/ANSI B16.34



Disc with insert

Chlorine Service Temperatures Not to Exceed 300°F.				Size	Weight in Pounds	A Contact-to-Contact	B Open	C Closed	D Seat Diameter	E Handwheel Diameter	Cv Factor
CLASS 800 Conventional Port		1975 psi @ 100°F Valves Contain Teflon		1/4	4.8	3.75	6.62	6.34	.39	3.25	.7
Series Number	Material			3/8	4.9	3.75	6.62	6.34	.39	3.25	1.7
Threaded	Socket Weld	Body/Bonnet	Trim	1/2	4.8	3.75	6.62	6.34	.39	4.00	1.7
22141CL	SW 22141CL	A105	Hastelloy C Stem Monel Seat and Disc	3/4	5.0	4.00	6.62	6.34	.39	4.00	3.1
Chlorine Service Temperatures Not to Exceed 300°F.				1	8.9	4.62	8.44	8.06	.66	4.75	5.9
CLASS 800 Conventional Port		1975psi @ 100°F Valves Contain Teflon		1-1/4	20.8	6.25	10.38	9.78	1.19	5.75	13.7
Series Number	Material			1-1/2	20.1	6.25	10.38	9.78	1.19	5.75	18.4
Threaded	Socket Weld	Body/Bonnet	Trim	2	29.1	7.75	10.88	10.19	1.44	7.00	22.5
22141MT	SW 22141MT	A105	Hastelloy C Stem Monel Seat and Teflon-Inserted Disc								



Vogt Valves

1511 Jefferson Street
Sulphur Springs, TX 75482

US Sales Offices

Phone: 903-885-3151
Fax: 903-439-3386

Toll-Free Telephone Service

1-800-225-6989

Visit Our Website

www.flowserve.com

After Hours Customer Service

1-800-543-3927

Flowserve Corporation has established industry leadership in the design and manufacture of its products. When properly selected, this Flowserve product is designed to perform its intended function safely during its useful life. However, the purchaser or user of Flowserve products should be aware that Flowserve products might be used in numerous applications under a wide variety of industrial service conditions. Although Flowserve can (and often does) provide general guidelines, it cannot provide specific data and warnings for all possible applications. The purchaser/user must therefore assume the ultimate responsibility for the proper sizing and selection, installation, operation, and maintenance of Flowserve products. The purchaser/user should read and understand the Installation Operation Maintenance (IOM) instructions included with the product, and train its employees and contractors in the safe use of Flowserve products in connection with the specific application.

While the information and specifications contained in this literature are believed to be accurate, they are supplied for informative purposes only and should not be considered certified or as a guarantee of satisfactory results by reliance thereon. Nothing contained herein is to be construed as a warranty or guarantee, express or implied, regarding any matter with respect to this product. Because Flowserve is continually improving and upgrading its product design, the specifications, dimensions and information contained herein are subject to change without notice. Should any question arise concerning these provisions, the purchaser/user should contact Flowserve Corporation at any one of its worldwide operations or offices.

For more information about Flowserve Corporation, contact www.flowserve.com or call USA 1-800-225-6989.

FLOWSERVE CORPORATION

FLOW CONTROL DIVISION

Vogt Valves

1511 Jefferson Street
Sulphur Springs, TX 75482
Phone: 903-885-3151
Facsimile: 903-439-3386