



Vogt Valves

*The Connection Bulletin for
Zero Emission Forged Steel Gate Valves*

CB 01

Zero Emission: Forged Steel Gate Valves

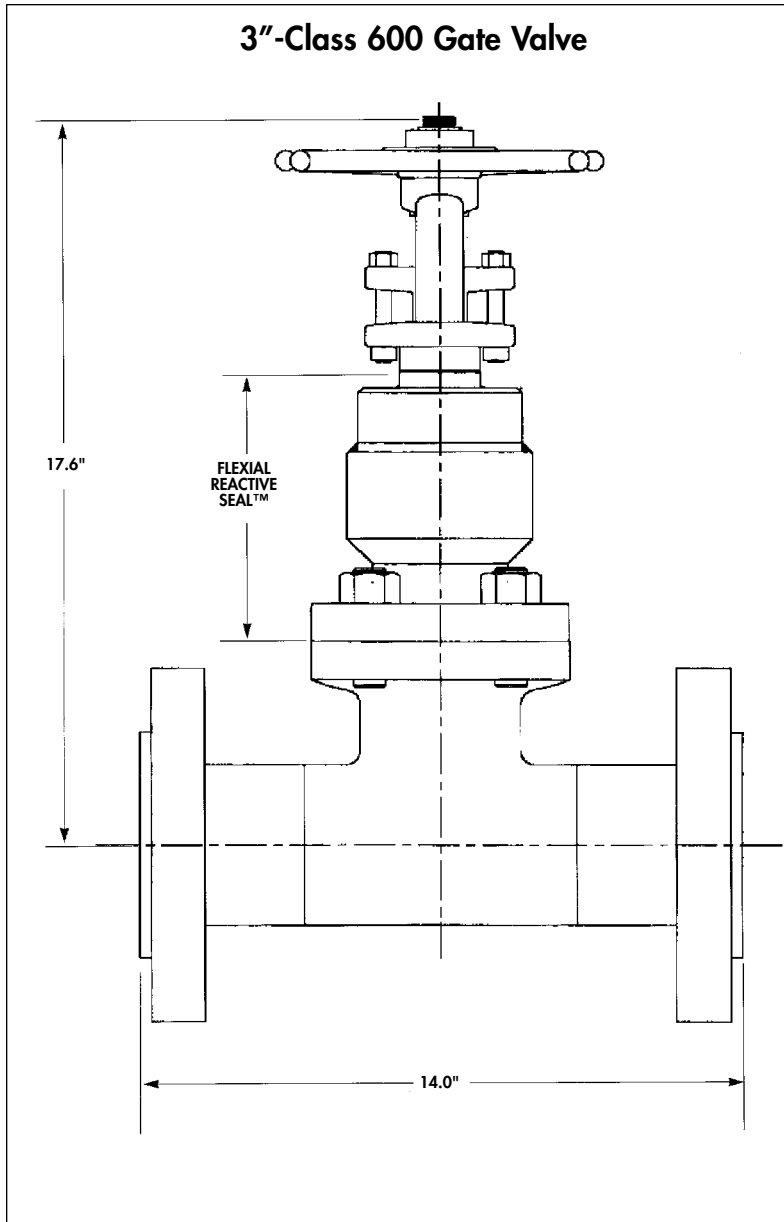


COMPLIANCE, SAFETY, RELIABILITY WHEN THESE ARE THE IMPERATIVES

Vogt's gate valves with the Flexial Reactive Seal™ are unique in the industry. We don't make this statement lightly. These valves will change your opinion about valve technology, and our **5-year, zero emission limited warranty** will help. We are that confident. Compliance, safety and reliability have never been easier.

- FIVE YEAR LIMITED WARRANTY
- ZERO FUGITIVE EMISSIONS
- MOST COMPACT ZERO EMISSION SEAL AVAILABLE
- HASTELLOY® TRIM & SEAL TO HANDLE YOUR WORST CASE PROBLEMS
- CLASS 150, 300, 600, and 800
- TEMPERATURE TO 425°F

Zero Emission: Forged Steel Gate Valves



EASY ENGINEERING

The engineering questions are answered. Forget about:

- Temperature derating curves—there aren't any.
- Pressure derating curves—there aren't any.
- Stem load problems—same load as original valve design.
- Changing remote operators—put the old one back on.

AND IT'S TOUGH

Proof-tested to 150% of rating before you get it. Don't worry about:

- Pressure pulsations, hammer, surge or cycling—it can take it.
- Overpressure to 150% of operating pressure—no degradation.

EASY CHANGEOUT

Upgrading your current Vogt valves to a zero-emission seal couldn't be easier:

- Leave the valve body in the system.
- Unbolt the old bonnet.
- Remove the topworks.
- Bolt on the new retrofit bonnet assembly.
- Done.

A GOOD FIT

Only 5 inches higher than the original bonnet:

- No piping interference.
- No catwalk interference.
- 2½" & 3" - Class 150, 300 and 600 Gate Valve (Butt Weld or Flanged)
- 2" & 2½" class 800 Gate Valve (Socket Weld or Threaded)

SET IT AND FORGET IT

We're not talking cycles, we're talking years:

- It will not leak for at least five years.
- We'll say it again: zero emission for five years.
- Put that in your title V program! Or on your Offshore Platform.

Zero Emission: Forged Steel Gate Valves

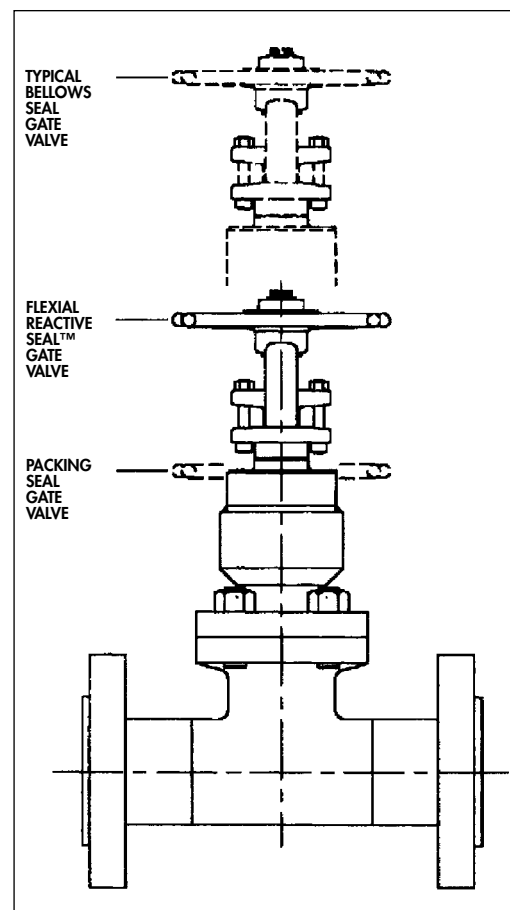
COMPACT SIZE

The 3-inch gate valve with flexial seal below, drawn to scale, is far more compact than a conventional bellows seal. The Flexial Reactive Seal™ typically adds $\frac{1}{3}$ to $\frac{1}{2}$ the height increase of conventional bellows seal. Retrofit is far more practical as there is little intrusion into catwalks, and minimal interference with adjacent piping.

Vogt is the world's foremost manufacturer of high quality forged steel valves and fittings. Since 1880 uncompromising quality has made Vogt products the universal choice for demanding applications throughout the world.

Federal regulations for reduced equipment leaks from valves and other apparatus have prompted the development of a radically new type of zero emission seal for rising stem valves. When Flexial Corporation presented its seal to Henry Vogt Machine company in 1993, Vogt recognized the seal's potential and began to offer direction to Flexial toward compliance with industry standards. In 1994, when Flexial was awarded two Federal grants to develop the seal, Vogt agreed to participate, furnishing 3-inch, Class 600, API-602 gate valves and custom parts to Flexial to help put the seal under test.

With a broad line of high quality products, over a century of experience and global distribution and service network, it is easy to understand how Vogt has earned its reputation for world class quality.



TO LEARN HOW IT WORKS SEE THE FLEXIAL REACTIVE SEAL™ TECHNICAL PAPER IN THIS CD-ROM.



Vogt Valves

1511 Jefferson Street
Sulphur Springs, TX 75482

US Sales Offices

Phone: 903-885-3151
Fax: 903-439-3386

Toll-Free Telephone Service

1-800-225-6989

Visit Our Website

www.flowserve.com

After Hours Customer Service

1-800-543-3927

Flowserve Corporation has established industry leadership in the design and manufacture of its products. When properly selected, this Flowserve product is designed to perform its intended function safely during its useful life. However, the purchaser or user of Flowserve products should be aware that Flowserve products might be used in numerous applications under a wide variety of industrial service conditions. Although Flowserve can (and often does) provide general guidelines, it cannot provide specific data and warnings for all possible applications. The purchaser/user must therefore assume the ultimate responsibility for the proper sizing and selection, installation, operation, and maintenance of Flowserve products. The purchaser/user should read and understand the Installation Operation Maintenance (IOM) instructions included with the product, and train its employees and contractors in the safe use of Flowserve products in connection with the specific application.

While the information and specifications contained in this literature are believed to be accurate, they are supplied for informative purposes only and should not be considered certified or as a guarantee of satisfactory results by reliance thereon. Nothing contained herein is to be construed as a warranty or guarantee, express or implied, regarding any matter with respect to this product. Because Flowserve is continually improving and upgrading its product design, the specifications, dimensions and information contained herein are subject to change without notice. Should any question arise concerning these provisions, the purchaser/user should contact Flowserve Corporation at any one of its worldwide operations or offices.

For more information about Flowserve Corporation, contact www.flowserve.com or call USA 1-800-225-6989.

FLOWSERVE CORPORATION

FLOW CONTROL DIVISION

Vogt Valves

1511 Jefferson Street
Sulphur Springs, TX 75482
Phone: 903-885-3151
Facsimile: 903-439-3386